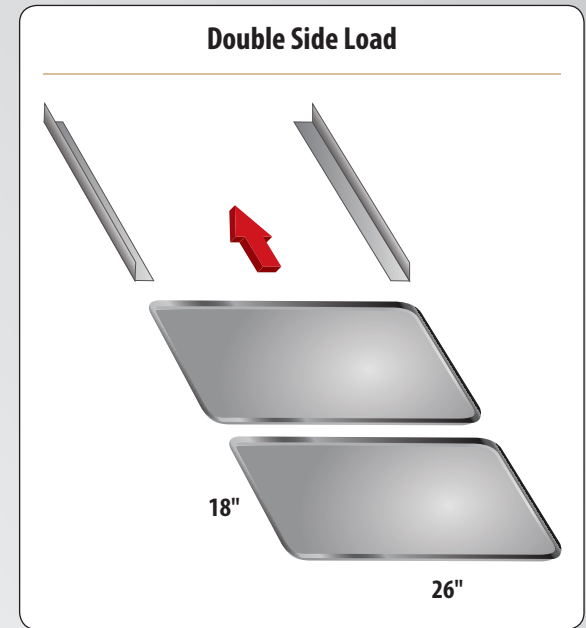
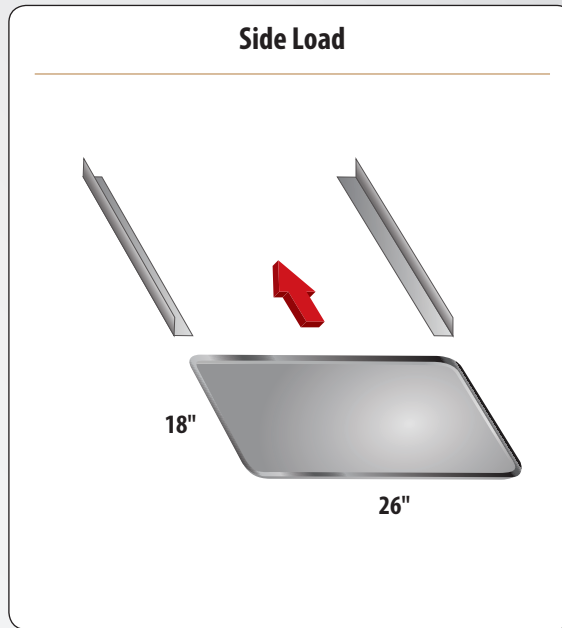
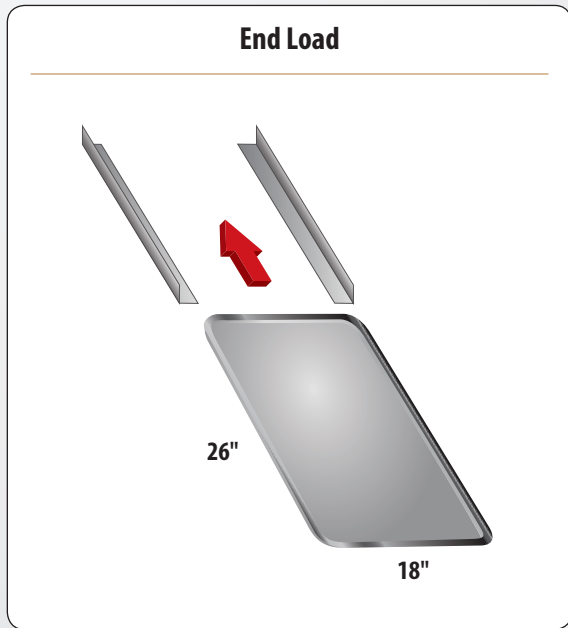
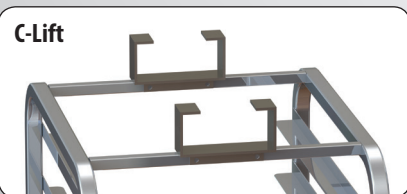
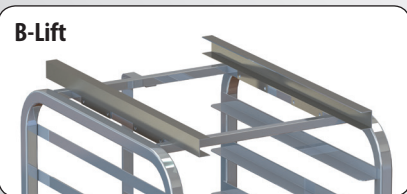
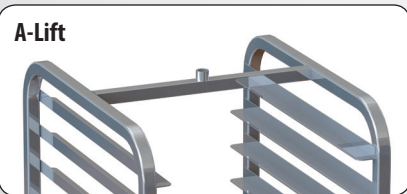


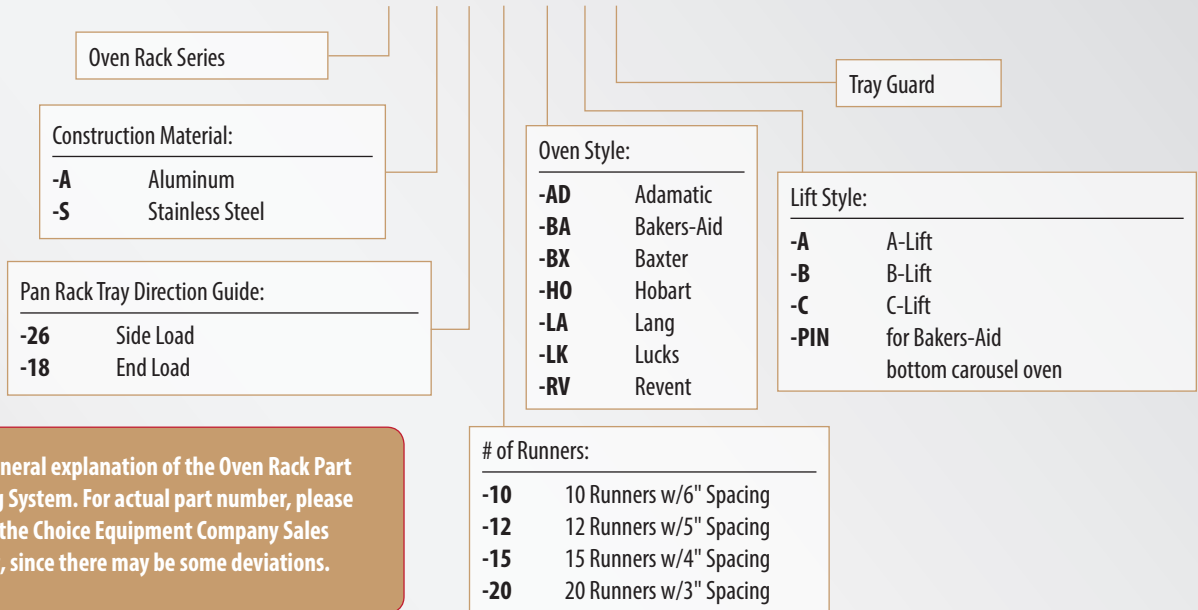
Pan Rack Tray Direction Guide



Oven Rack Ordering Guide



Example: PR80-A-2612-HO-C-TG



This is a general explanation of the Oven Rack Part Numbering System. For actual part number, please contact the Choice Equipment Company Sales Department, since there may be some deviations.